

4

3

2

1

D

D

C

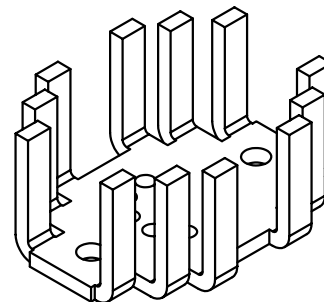
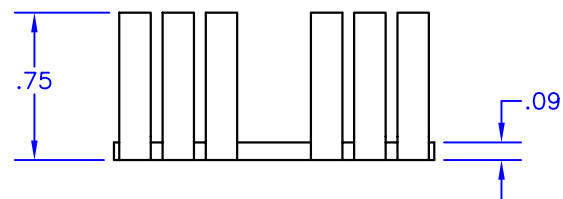
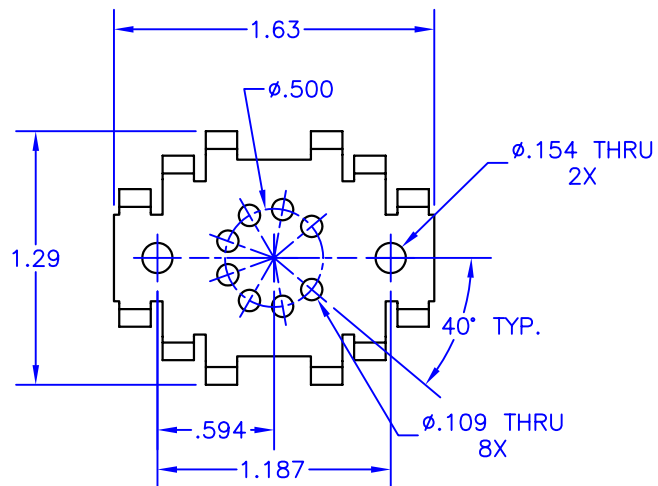
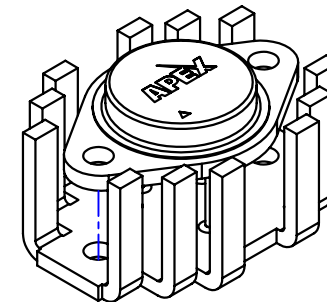
C

B

B

A

A



NOTES:

1. Unless otherwise noted, all dimensions are in inches.
2. Break all sharp edges, de-burr & remove loose chips.
3. Material: Aluminum alloy
4. Finish: Anodize per MIL-A-8625, Type II, Class 2, Black
Typical breakdown voltage > 300V
5. Mark with contrasting ink as shown, if specified by P.O.
6. Approximate Weight: 0.4 oz [11g]

TOLERANCES - UNLESS OTHERWISE SPECIFIED	
.XX	= ±.01
.XXX	= ±.005
ANG.	= ±.5°



TITLE HEATSINK, TO3				PART NO. HS09	
SUBJECT MECHANICAL DRAWING					
ENG. D-M	TECH/DWN. D-M	DCA 46411	SH. OF 1 1	FILENAME HS09-B	REV B
				DATE 10/13/04	

4

3

2

1