

4

3

2

1

D

D

C

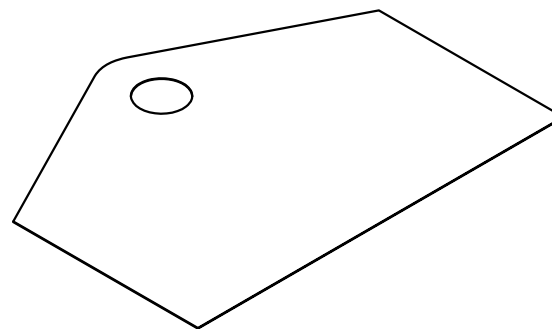
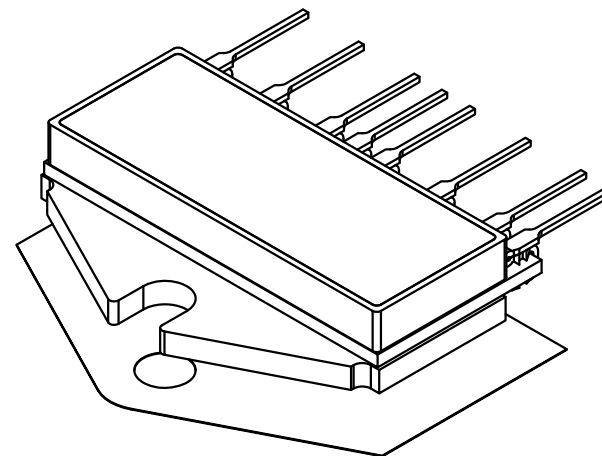
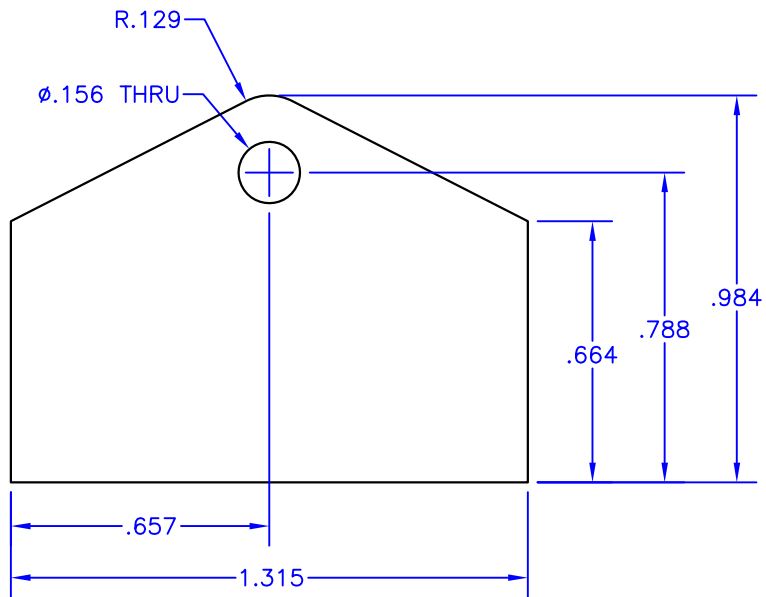
C

B

B

A

A

**NOTES:**

1. Unless otherwise noted, all dimensions are in inches.
2. Film Material: $.002$ thick Kapton[®] MT
Dielectric strength - 5200 VAC/mil
3. Interface Material: $.0005$ thick phase-change thermal compound, both sides.
Maximum shipping & storage temperature - 40°C
Reflow temperature - 60°C
Maximum recommended service temperature - 200°C
4. Thermal impedance: $.201^{\circ}\text{C-in}^2/\text{W}$ ($1.30^{\circ}\text{C-cm}^2/\text{W}$) @ 20psi
5. Thermal washers shall be packaged in quantities of 10 with oversize separators between them.
6. Used with SIP packages (Apex designators: DQ & DR).
7. Power Devices part no. KA-132-098-APX

TOLERANCES - UNLESS OTHERWISE SPECIFIED	
.XX	= $\pm.01$
.XXX	= $\pm.005$
ANG.	= $\pm.5^{\circ}$



TITLE THERMAL WASHER, SIP				PART NO. TW13	
SUBJECT MECHANICAL DRAWING					
ENG. D-M	TECH/DWN. P.ECK	DCA 80339	SHL OF 1 1	FILENAME TW13	REV DATE C 03NOV08

4

3

2

1