

4

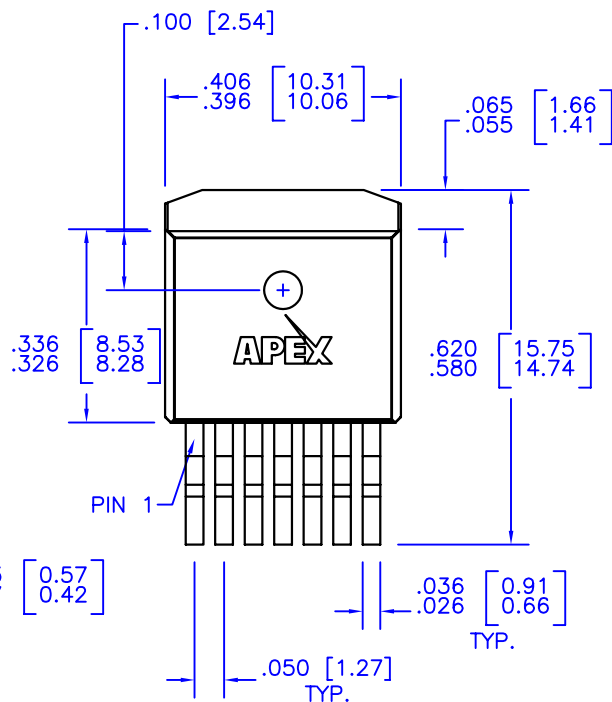
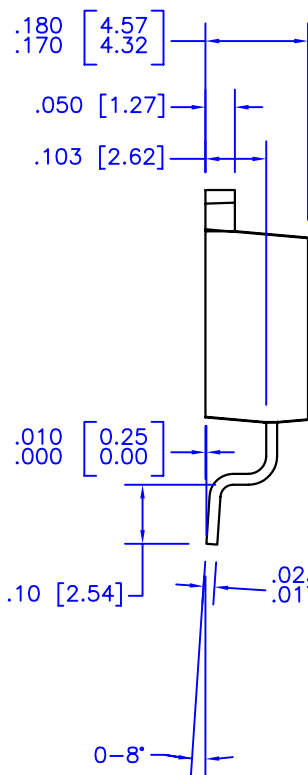
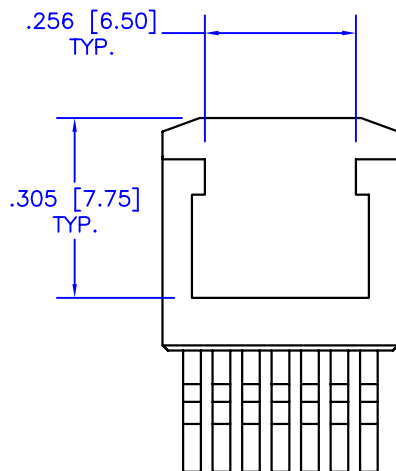
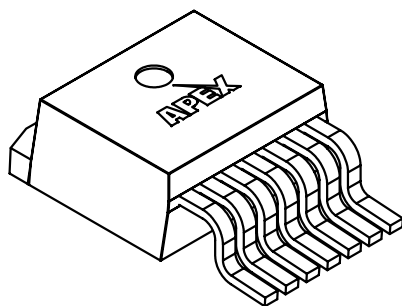
3

2

1

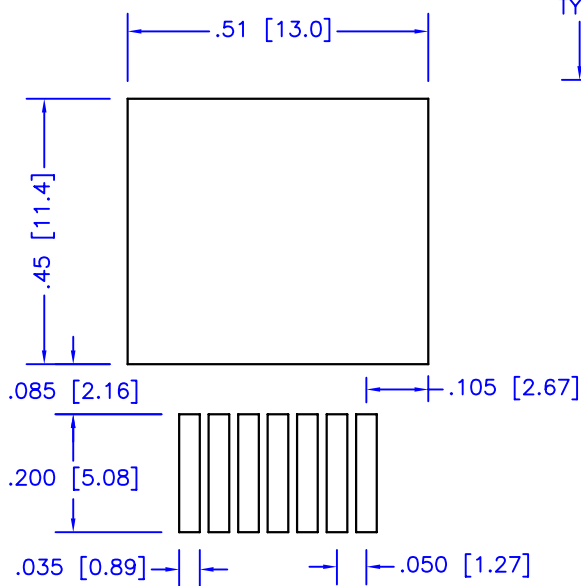
D

D



C

C



B

B

### Surface Mount Layout

#### NOTES:

1. Dimensions are in inches & [mm].
2. Mold compound: MPC8000CH epoxy
3. Pins & Heat Slug: HCL-12S Cu alloy, 100% MATTE Sn FINISH
4. Package weight: .051 oz. [1.46 g]
5. Suggested surface mount layout for reference only.

A

A

TOLERANCES - UNLESS OTHERWISE SPECIFIED	
.XX	= ±.01 [.254]
.XXX	= ±.005 [.127]
ANG.	= ±.5°



TITLE		7-PIN DDPAK, SURFACE MOUNT			PACKAGE	
SUBJECT		MECHANICAL PACKAGE OUTLINE			CC	
ENG.	TECH/DWG	DWG	SH	OF	FILENAME	REV
DAG	JCA	50141	1	1	CC	B
						DATE
						3/31/05

4

3

2

1